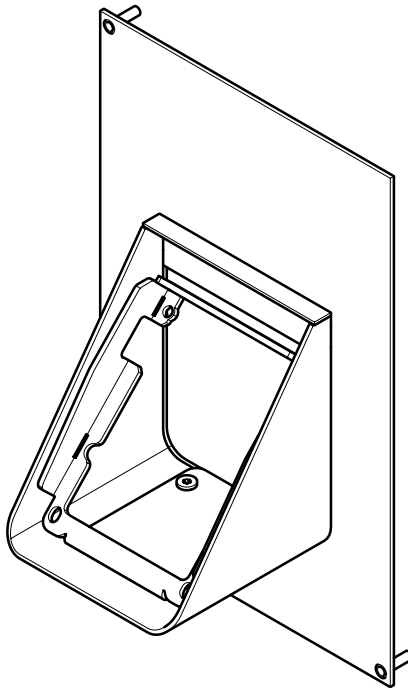


Installation Guide

SPSK503

SCO Kiosk set for PAX IM30 payment device



CAUTION

This product is intended for indoor use only.

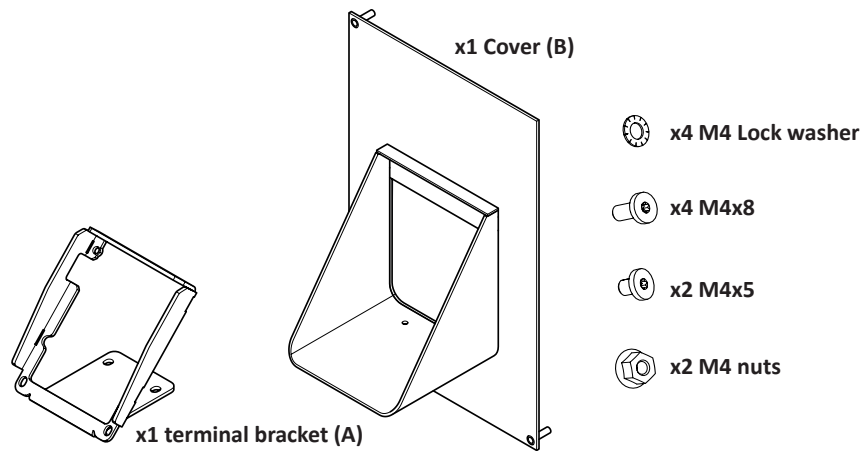
If these installation instructions are not followed correctly, it could lead to product failure and potential personal injury.

Ergonomic Solutions/SpacePole cannot be held responsible for any failure or injury, if the installation instructions are not followed correctly.

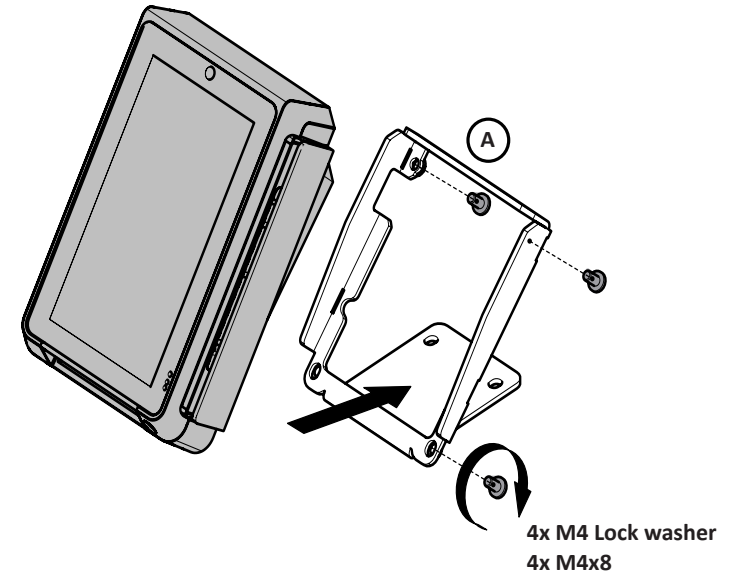
Tool list



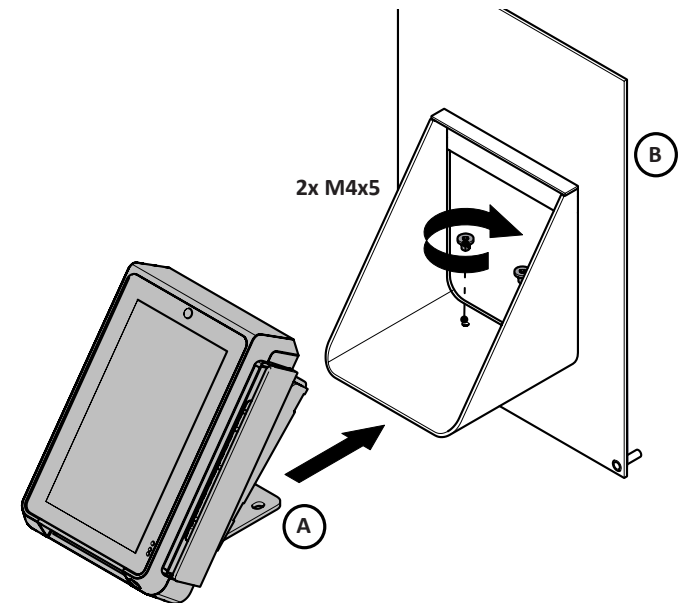
Box content



1 Mount terminal on to bracket

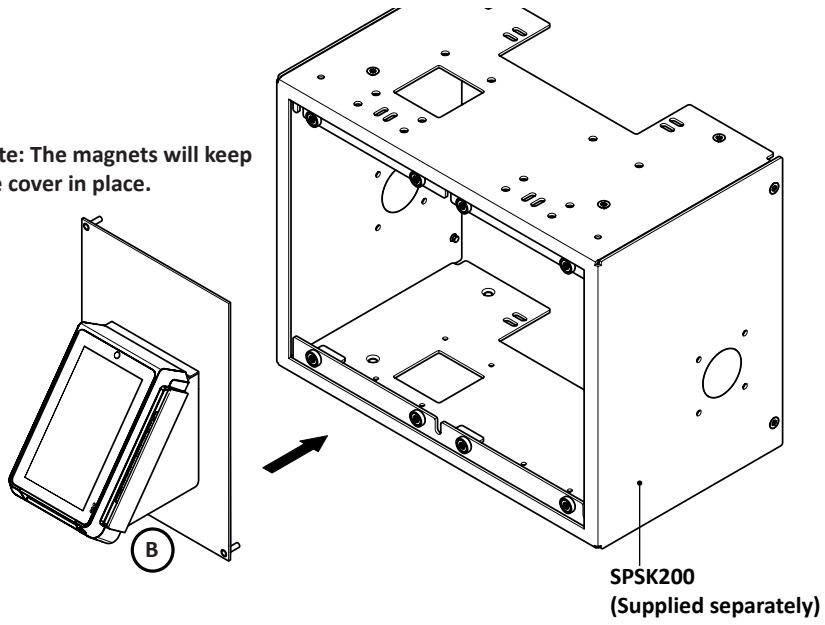


2 Mount terminal fitted to bracket on to the cover

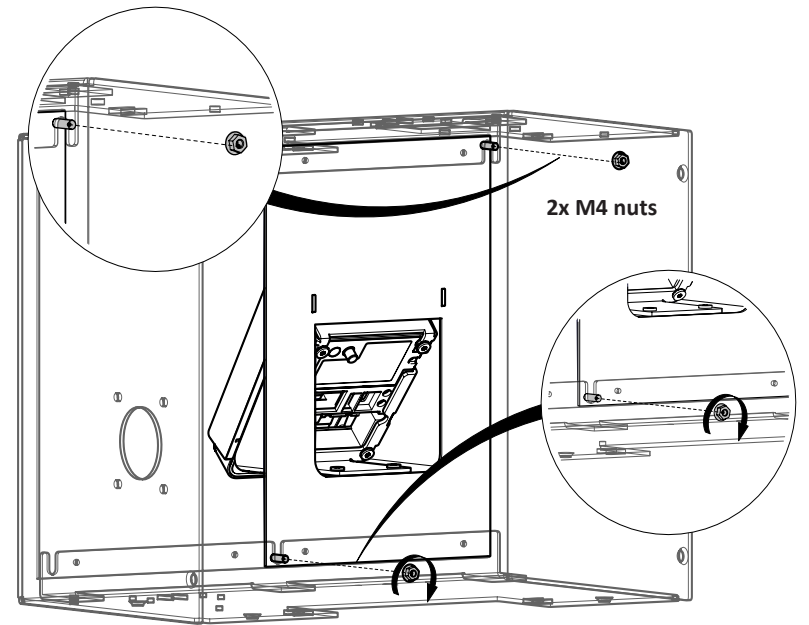


3 Mount terminal cover

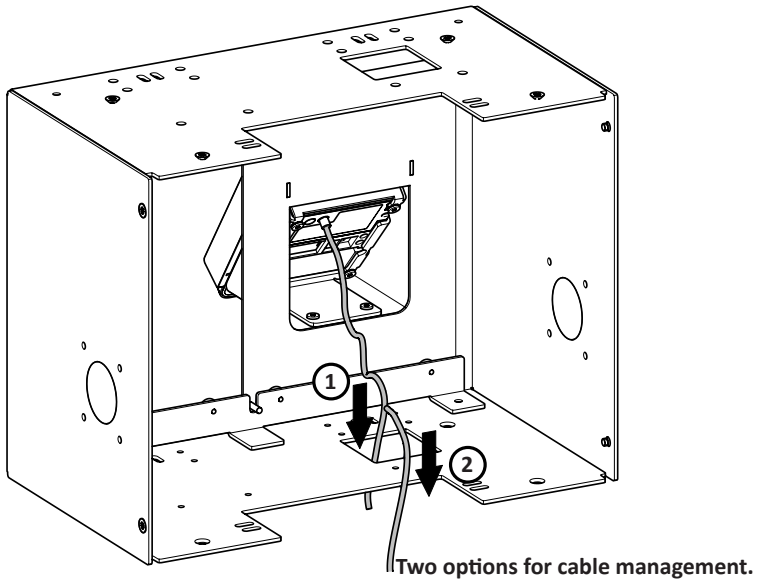
Note: The magnets will keep the cover in place.



5 Optional: Secure payment cover

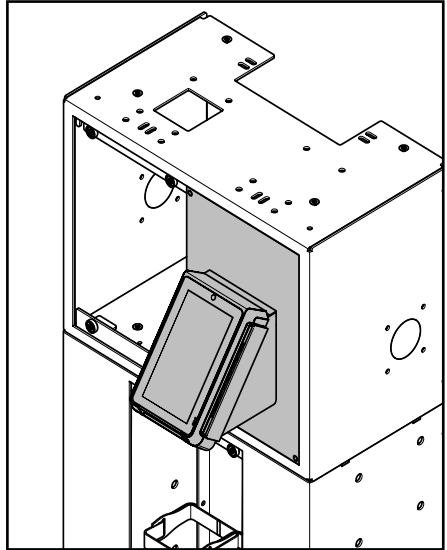
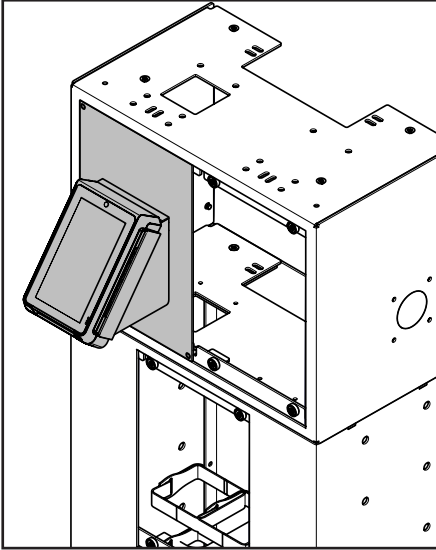


4 Route cables



Three location options for SCO kiosk set

Center module



Floorstand

